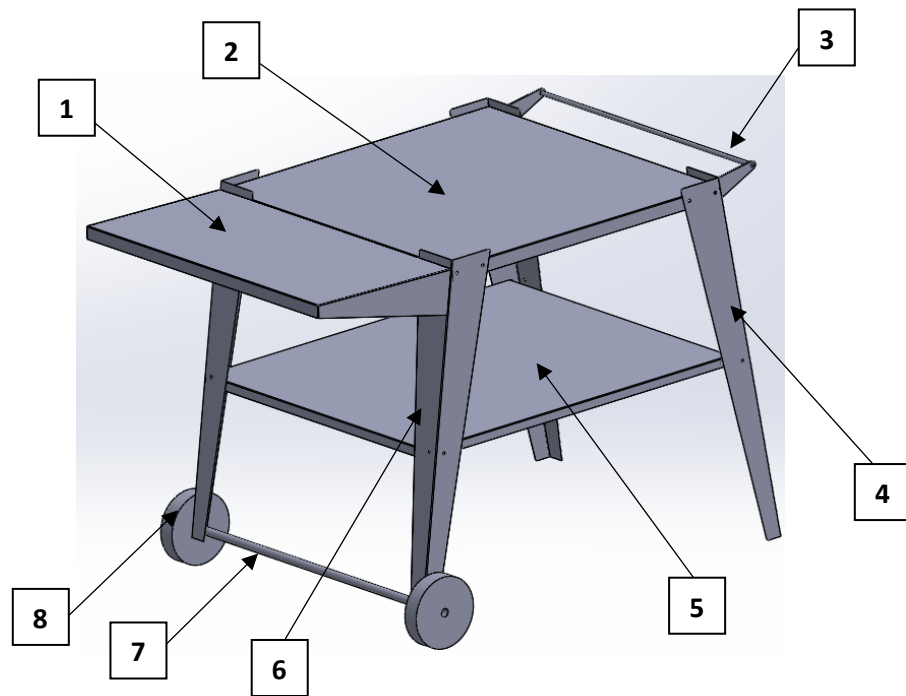


Assembly Instruction of Atlas Trolley



| Number | Components | Quantity |
|--------|---------------------|----------|
| 1 | Top Shelf | 1 |
| 2 | Oven base | 1 |
| 3 | Handle | 1 |
| 4 | Leg | 2 |
| 5 | Lower Shelf | 1 |
| 6 | Leg with shaft hole | 2 |
| 7 | Wheel Axle | 1 |
| 8 | Wheels | 2 |

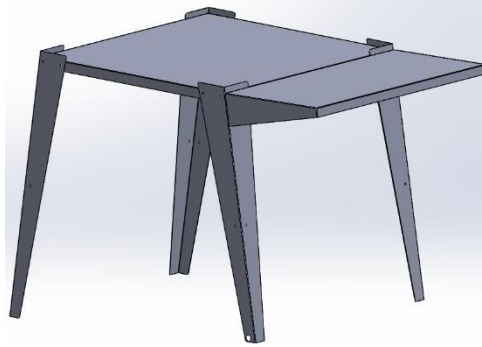
1st step

- Screw components N°6 to component N°2 ; Note: Do not fully tighten screws to bring components together.

- When the installation of all the screws is finished, give the final tightening;

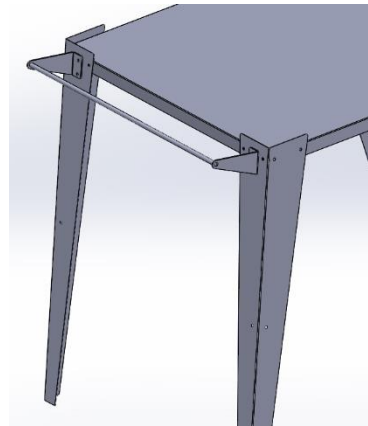
2nd step

- Screw components N°4 to component N°2 but do not fully tighten the screws; Note: While placing components N°4 also place component N°1 in the same hole.
- After placing the components, tighten the screws.



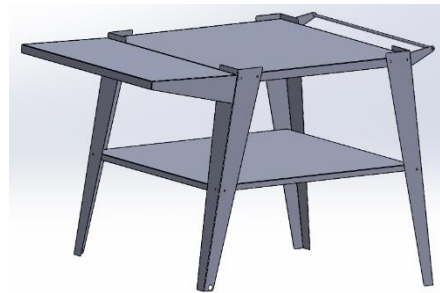
3th step

- Place component N°3.



4th step

- Screw component N°5. Initially, do not give full tightening.



5th step

- Place component No. 08 on component No. 07
- Press the brake ring on component N°7 with both hands;
- Finally put the cover on component 8.

